

CHANGLIN CONSTRUCTION MACHINERY
常林工程机械

CHANGLIN **CHANGLIN** CHANGLIN COMPANY LIMITED

R Series

2.0/2.5t Diesel



CE CERTIFICATE



ISO14001

ISO14001: 2004



ISO9001

ISO9001: 2008

CHANGLIN COMPANY LIMITED

Add: No. 898 West Huanghe Road, Changzhou, Jiangsu,
P.R. of China

P.C: 213136

Tel: 86-519-86781288 86752400

Fax: 86-519-86781387

Http://www.changlin.com.cn

E-mail: sales@changlin.com.cn service@changlin.com.cn

DEALER:

常林股份有限公司

simple. Easy: **SERVICE**
 simple, comprehensive: **PANEL**
 strong, wide view: **MASTS**
 so much footroom: **DRIVER ROOM**

INTRODUCTION

The new generation R series forklift is combined with durability and ergonomics, providing productivity enmatched by other forklifts and the comfort for hours of tireless operation, Add friendliness to the environment, simple servicing, efficiency on the job, high standards of safety---it's the perfect tool for the most demanding application.

EFFICIENCY

Thanks to the long wheelbase design, the longitudinal stability of whole truck is much better, the hoisting capacity at same lift height are enhanced by an average of 100kg compared with former truck. At the same time, it prolongs work time of rear wheel as the reduced rear axle's load.

The travel speed of truck has been raised, for example, the 2-2.5t type comes to 20km/h.

Increasing the hard proportion of hydraulic pipe, adopting right angle connector or straight through connector, that reduce the pressure loss of pipeline, and raise the lifting speed of mast, the speed is increased by an average of 10% compared with former truck.

Turning radius and width of right angle stacking aisle are decreased through reducing the dimensions of whole truck, that raise the efficiency of storehouse.



SERVICING

Easy opened engine cover and one-touch removal of the floorboard get you right to service operation, and reduces down-time.

The reasonable arrangement of fuse and installation of instrument, enable the replacing for fuse and maintenance for instrument more easy.

ENVIRONMENT FRIENDLY

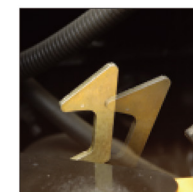
The environment friendly engines all meet related emission control regulation. The noise emission also comes up to EU standard.

The Metal hood and molding sound insulation matches environmental protection demands.

SAFE

A throttling device is set in pipe system, the mast won't result in failing control of mast even some pipes broke.

By using a built-in hood lock device, the safe level of the truck has been raised.



For more than 30 years, **CHANGLIN.** Has played a leading role in the manufacture and production of Chinese forklift industry. We constantly strive to develop and incorporate the latest advances in forklift design and technology to ensure that our products provide an optimum level of performance, all the time. Our new generation R series of forklifts truly exemplifies this commitment to excellence.

- The clearance between the steering axle and support rod can be adjusted, to improve the adaptability for ground.
- The pin of the tilt cylinder adopts a build-in grease fitting, which enables the greas fitting more dependable.
- The high performance specific tires for forklift trucks increase the work life of tires much more.

durable: **HYDRAULICS**
 clean, reliable: **ENGINES**
 progressive: **BRAKES**
 cool, smooth: **TRANSMISSION**

APPEARANCE

The latest appearance design method was used to create the R series fluent and aesthetic outline, that matches the latest appearance trend.

The large engineering plastic covering enables the whole truck looks friendly and natural.

TRANSMISSION & ENGINE

The transmission can be chosen among OKAMURA, NISSAN and HC(made in china with the Japanese technique), with advanced structure and dependable function. Among them, the OKAMURA transmission adopts advanced float type structure, which can achieve a flexible connection between engine and frame, the vibrations of transmission to the frame is reduced. The engine can be chosen among the TD27, C240, 4JG2, 4TNV94L diesel engine, with great power, economical fuel consumption and dependable functions.

OPERATION

Adopted advanced ergonomic technology optimizes the design of control system, improves the comfortable of operation much more.

Adopted advanced vibration-reduction technology designs each part's vibration reduction, reduces the whole truck vibration. Among them, the hood is designed to full floating type, and vibration reduction device for steering axle enables the operation more comfortable.



The torque converter models adopt electronic-hydraulic forward-reverse control technology, meaning less effort and less total time used during this often-performed function.

Adopted recently developed redirector decreases the steering wheel force to 6~8N only ,that reduce 50% compared with former truck.

COOLING SYSTEM

Newly adopted combined type aluminum radiator improves the radiator cooling performance greatly.

Advanced heat dissipation technology improves heat dissipation channel, that enhances the truck heat dissipation capability further, the water temperature is reduced 15% compared with former truck.

CYLINDER

Oil seal rings used for tilting cylinder, lifting cylinder and turning cylinder all adopt the first class international product, the sealing performance has been proven through ten of thousands fatigue test.

The soft landing system for lifting cylinder decreases the level of noise and shock when the mast lowered to termination phase.

BRAKES

The 2-2.5t forklifts all adopt the new type drum brake. waterproof slot on the brake drum and framework oil seal on the axle tube avoid water or oil entering the brake drum, enable the dependability of brake to raise consumedly.

OKAMURA
transmission



OKAMURA
New floating type

OKAMURA 2-3t T / M is Floating Types, The only one in China. Floating types are designed to reduce the transmission of vibrations to the chassis in small and midsized (1 to 5 tons) forlift trucks, thereby reducing operator fatigue and improving riding comfort . Specially-shortened design is ideal for this floating-type Installation. Compact design offers same dimensions as conventional integrated models . May be coupled to the differential axles. Making installation, removal, and maintenance easy.



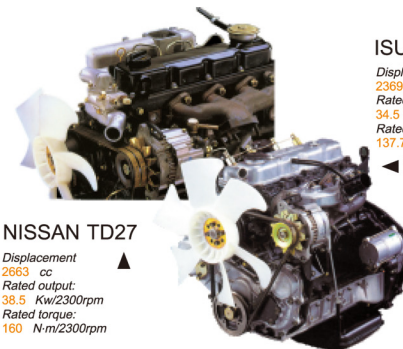
◀ ISUZU 4JG2 PE-01
Displacement
3059 cc
Rated output:
44.9 Kw/2450rpm
Rated torque:
186.3 N·m/1700rpm



◀ YANMAR 4TNV94L
Displacement
3054 cc
Rated output:
43 Kw/2500rpm
Rated torque:
205 N·m/1000rpm

ISUZU C240

Displacement
2369 cc
Rated output:
34.5 Kw/2500rpm
Rated torque:
137.7 N·m/1800rpm

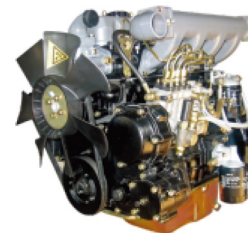


NISSAN TD27

Displacement
2683 cc
Rated output:
38.5 Kw/2300rpm
Rated torque:
160 N·m/2300rpm

XINCHAI A498BT1

Displacement
3168 cc
Rated output:
36.8 Kw/2400rpm
Rated torque:
166 N·m/1700rpm



Options

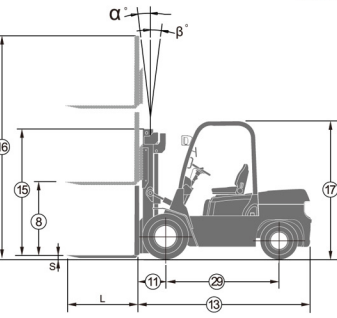
- 2.0-5.0m duplex mast
- 2.5-4.0m full free duplex mast
- 4.3-6.5m triplex mast
- Special carriage and backrest
- Other dimension forks
- Dual drive wheel with fender
- Solid tyre
- Non-marking tyre(white, green)
- Cabin
- Heater and air conditioner
- Fire extinguisher
- Semi-suspension seat or full-suspension seat
- Dual air cleaner or special air cleaner
- Rear working light
- Customer painting
- Auxiliary hydraulic valve modules
- High-mounted exhaust system
- Middle-mounted exhaust system
- Spark arrester
- Purified exhaust system
- Radiator screen
- Sideshifter
- Integrated sideshifter
- Other attachment

R series 2.0-2.5t Diesel forklift specification:

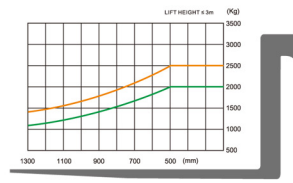
General		CHANGLIN														CHANGLIN																			
		CPCD20N														CPCD25N																			
1		Manufacturer																																	
2		Basic model																																	
3		Type		RW10	RW10B	RW13	RW15A	RW27	RW32	RW33	RW33B	RW43	RW43B	RW55	RW55B	RW56	RW56B	RG2	RG5	RW10	RW10B	RW13	RW15A	RW27	RW32	RW33	RW33B	RW43	RW43B	RW55	RW55B	RW56	RW56B	RG2	RG5
4		Power type		Diesel														Diesel																	
5		Rated capacity		2000														2500																	
6		Load center		500														500																	
7		Lift height		3000														3000																	
8		Free lift height		140														140																	
9		Fork size		1070x122x40														1070x122x40																	
10		Mast tilt range		6/12														6/12																	
11		Fork overhang(Wheel center to fork face)		475														475																	
12		Rear overhang		405														480																	
13-17		Overall dimensions		Length to face of fork		2530														2605															
				Overall width		1155														1155															
				Mast lowered height		1985														1985															
				Mast extended height		4045														4045															
				Overhead guard height		2140 (2200*)														2140 (2200*)															
18		Turning radius(outside)		2175														2175																	
19		Min. right angle stacking aisle width (Add load length and clearance)		2650														2650																	
20-22		Speed		Travel (No load)		20.5														20.5															
				Lifting (Full load)		410														410															
				Lowering (Full load)		500														500															
				Max.Drawbar Pull (Full load)		17000														17000															
23		Max.Gradeability (Full load)		20														20																	
25-29		Tyres		Front		7.00-12-12PR														7.00-12-12PR															
				Rear		6.00-9-10PR														6.00-9-10PR															
				Tread		965														965															
				Wheelbase		970.5														970.5															
30		Ground clearance		105														105																	
31		Wheelbase center		150														150																	
32		Service weight		3440														3440																	
33		Weight		Full load		4815/625														4815/625															
34		Distribution		No load		1640/1800														1640/1800															
35		Battery		Voltage/Capacity(20HR)		12/90														12/90															
36-45		Engine		Model		C240PKJ-30														C240PKJ-30															
				Manufacture		ISUZU														ISUZU															
				Rated output		34.5/2500														34.5/2500															
				Rated torque		137.7/1800														137.7/1800															
				No. of cylinder		4														4															
				Bore×Stroke		86x102														86x102															
				Emission STD.		StagellIIA														StagellIIA															
				Displacement		2369														2369															
				Fuel tank capacity		60														60															
				46		Manufacture		CHINA														CHINA													
47		Transmissions		Type		Powershift														Powershift															
48		Operating pressure		For attachments		17.5														17.5															

Note: * With suspension seat or cabin.
 1. Special lifting height available (Duplex mast: 2.5m, 2.7m, 3.0m, 3.3m, 3.6m, 4m, 4.5m. Triplex mast: 4.3m, 4.5m, 4.8m, 5m, 5.5m, 6m)
 2. Attachment available.
 3. The specifications in the table are for standard models only. For further information please contact us. 4. Specifications are subject to change without notice.

DIMENSIONS



LOAD CHART



a = 200 mm safety clearance
 AST = (11) + (18) + a + B

2.0 / 2.5t R series mast: (pneumatic)

Type	Model	Max. fork height	Overall height				Front Overhang	Tilt range		Capacity					
			Lowered	Extended		Without backrest		With backrest	FWD	BWD	Load capacity at 500 mm				
				Without backrest	With backrest						Single tire		Double tire		
											2t	2.5t	2t	2.5t	
mm	mm	mm	mm	mm	mm	(°)	(°)	kg	kg	kg	kg				
Wide view mast	R25M250	2500	1745	3135	3545	140	140	470	6	12	2000	2500	2000	2500	
	R25M270	2700	1845	3335	3745	140	140	470	6	12	2000	2500	2000	2500	
	R25M300	3000	1995	3635	4045	140	140	470	6	12	2000	2500	2000	2500	
	R25M330	3300	2145	3935	4345	140	140	470	6	12	2000	2500	2000	2500	
	R25M350	3500	2245	4135	4545	140	140	470	6	12	2000	2500	2000	2500	
	R25M360	3600	2345	4235	4645	140	140	470	6	12	2000	2500	2000	2500	
	R25M400	4000	2595	4635	5045	140	140	470	6	12	1900	2300	2000	2500	
	R25M430	4300	2745	4935	5345	140	140	470	6	6	1800	2100	1900	2450	
	R25M450	4500	2845	5135	5545	140	140	470	6	6	1700	2000	1900	2400	
	R25M480	4800	2995	5435	5845	140	140	470	6	6	1500	1700	1700	2100	
Wide view full free triplex mast	R25M500	5000	3095	5635	6045	140	140	470	6	6	1400	1600	1600	2000	
	N25U250	2500	1810	3170	3545	1140	760	460	6	12	2000	2500	2000	2500	
	N25U270	2700	1910	3370	3745	1240	860	460	6	12	2000	2500	2000	2500	
	N25U300	3000	2010	3670	4045	1340	960	460	6	12	2000	2500	2000	2500	
	N25U330	3300	2160	3970	4345	1490	1110	460	6	12	2000	2500	2000	2500	
	N25U360	3600	2310	4270	4645	1640	1260	460	6	12	2000	2500	2000	2500	
	N25U400	4000	2560	4670	5045	1890	1510	460	6	12	1900	2300	2000	2500	
	N25N430	4300	2055	4955	5355	1370	1010	475	6	6	1700	2000	1900	2400	
	N25N450	4500	2125	5245	5605	1440	1080	475	6	6	1600	1900	1800	2300	
	N25N480	4800	2225	5495	5855	1540	1180	475	6	6	1500	1700	1700	2100	
Wide view full free triplex mast	N25N500	5000	2290	5695	6055	1605	1245	475	6	6	1400	1600	1600	2000	
	N25N550	5500	2455	6195	6555	1770	1410	475	3	6	1050	1200	1500	1800	
	N25N600	6000	2675	6705	7055	1990	1630	475	3	6	700	800	1400	1600	

With sideshifter minus 150Kg, with integral sideshifter minus 100Kg.